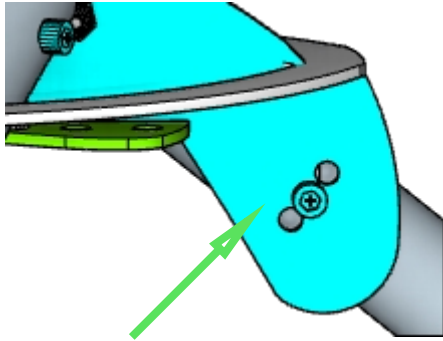
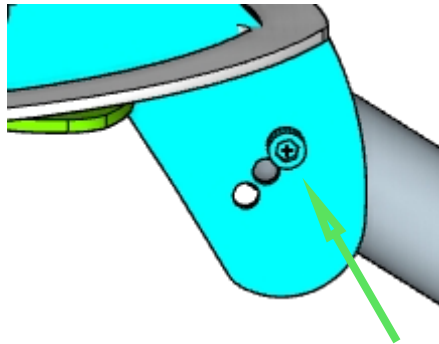


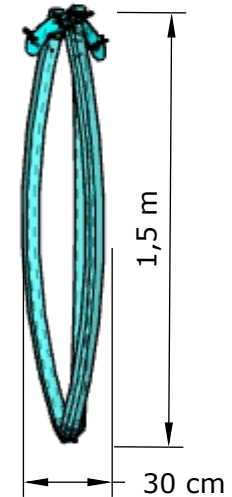
## Dimensions of the tripod



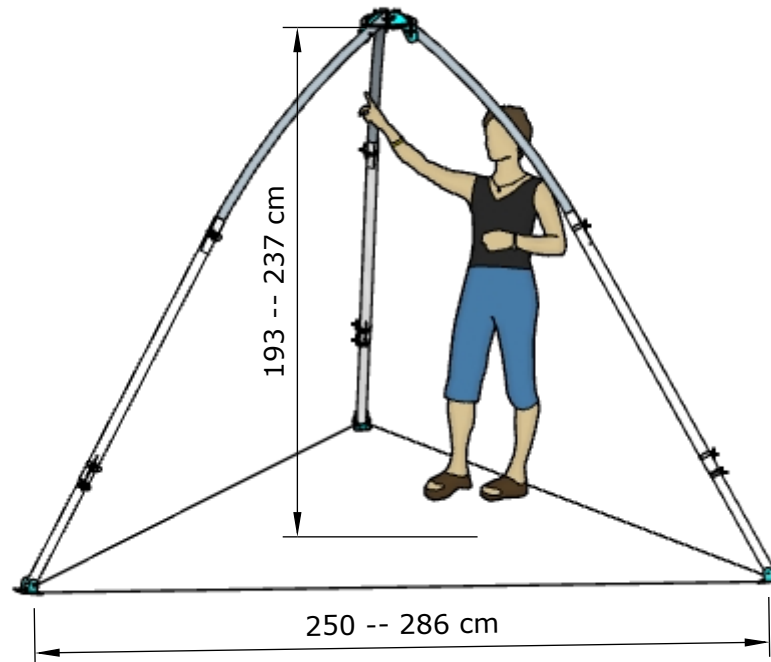
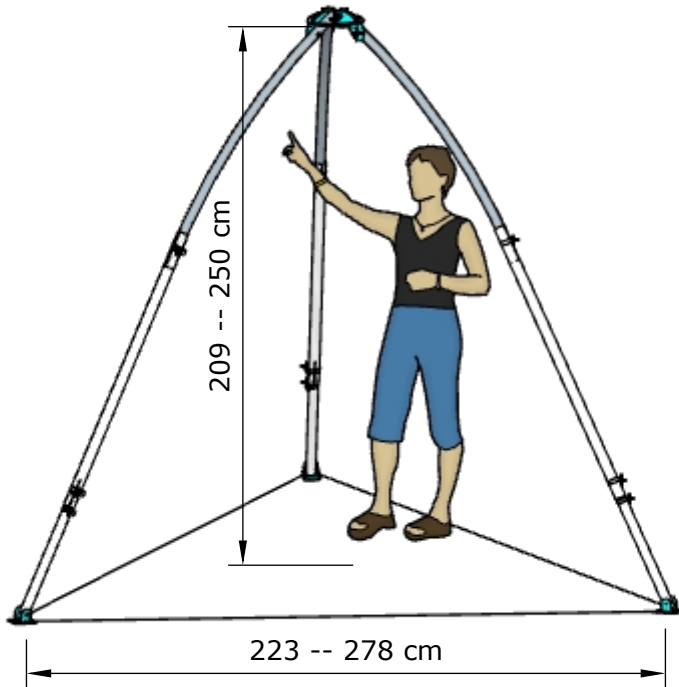
With the bolt in the **center position**—  
Tripod height **209 - 250 cm**,  
Distance between legs **223 - 278 cm**



With the bolt in the **upper position**—  
Tripod height **193 - 237 cm**,  
Distance between legs **250 - 286 cm**

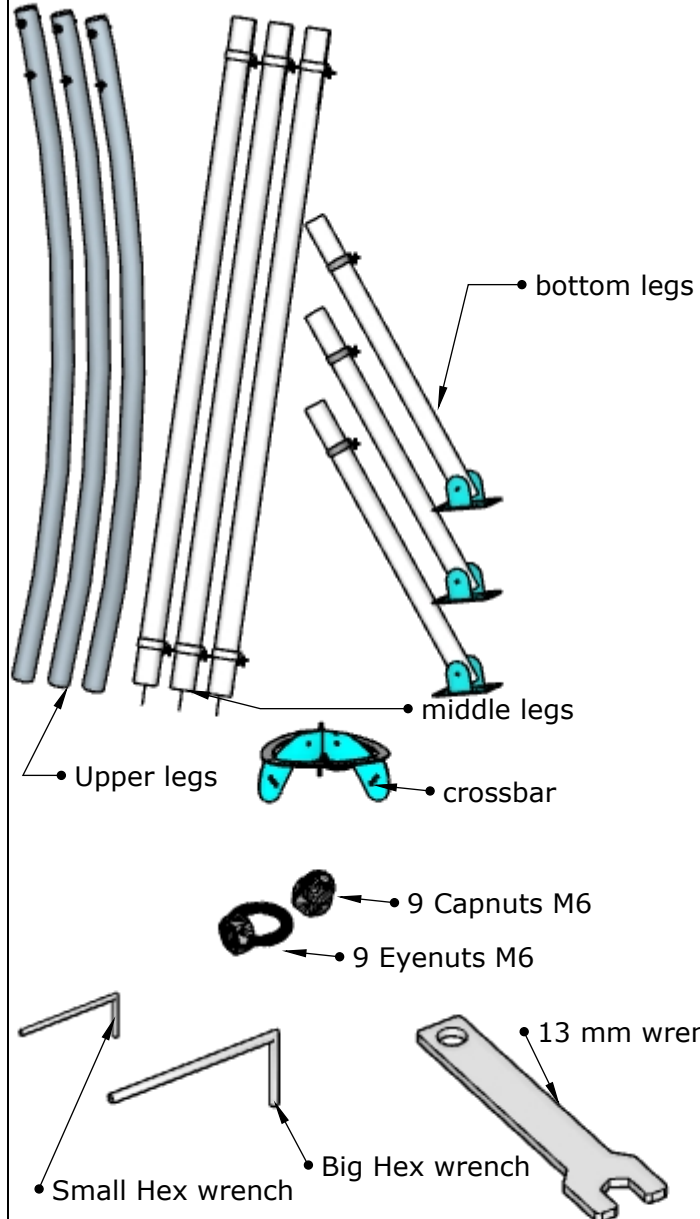


Weight - 12-13 kg



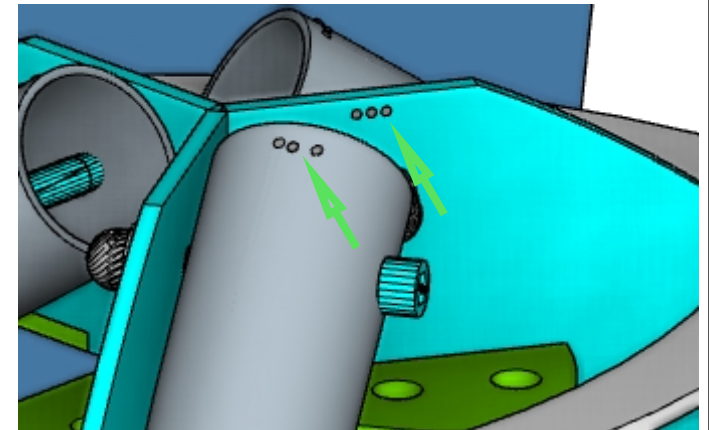
# 1. First Assembling (after shipping)

After shipping you have separate details:

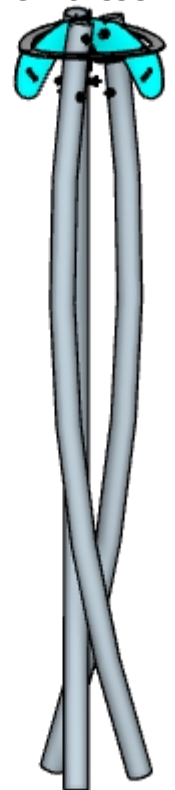
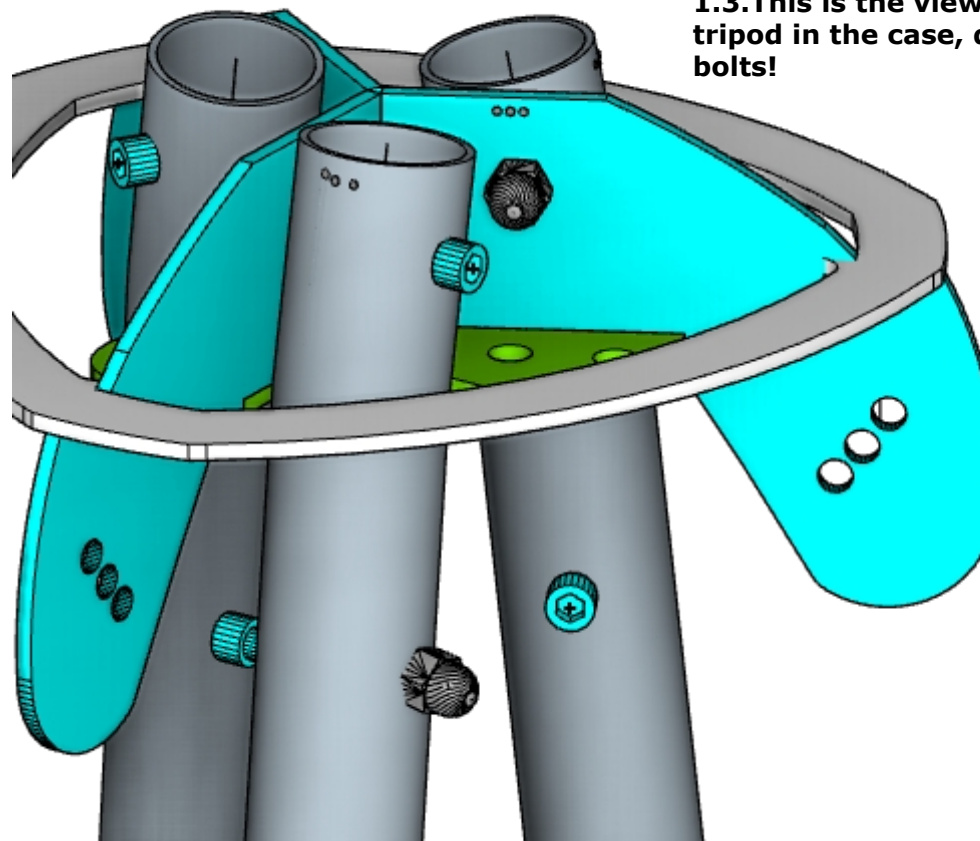


**1.1. You must connect upper legs with crossbar. Make sure that the markings on the upper leg (one, two or three dots) match the markings on the crossbar!**

**1.2. Insert the bolts into the upper holes on the upper legs and attach them to the crossbar (using Big Hex wrench and 13 mm wrench).**



**1.3. This is the view you can store the tripod in the case, do not unscrew these bolts!**

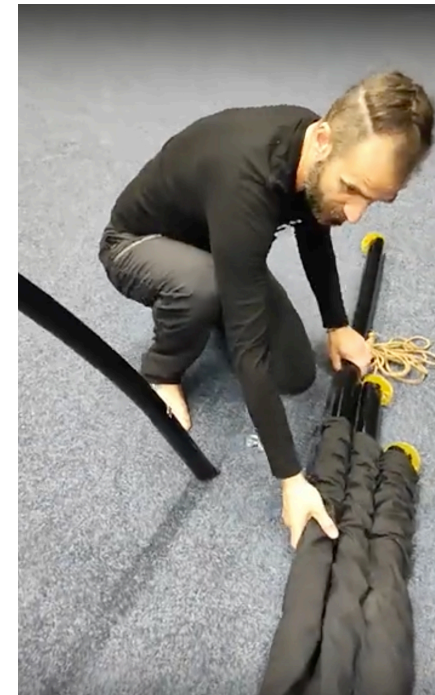
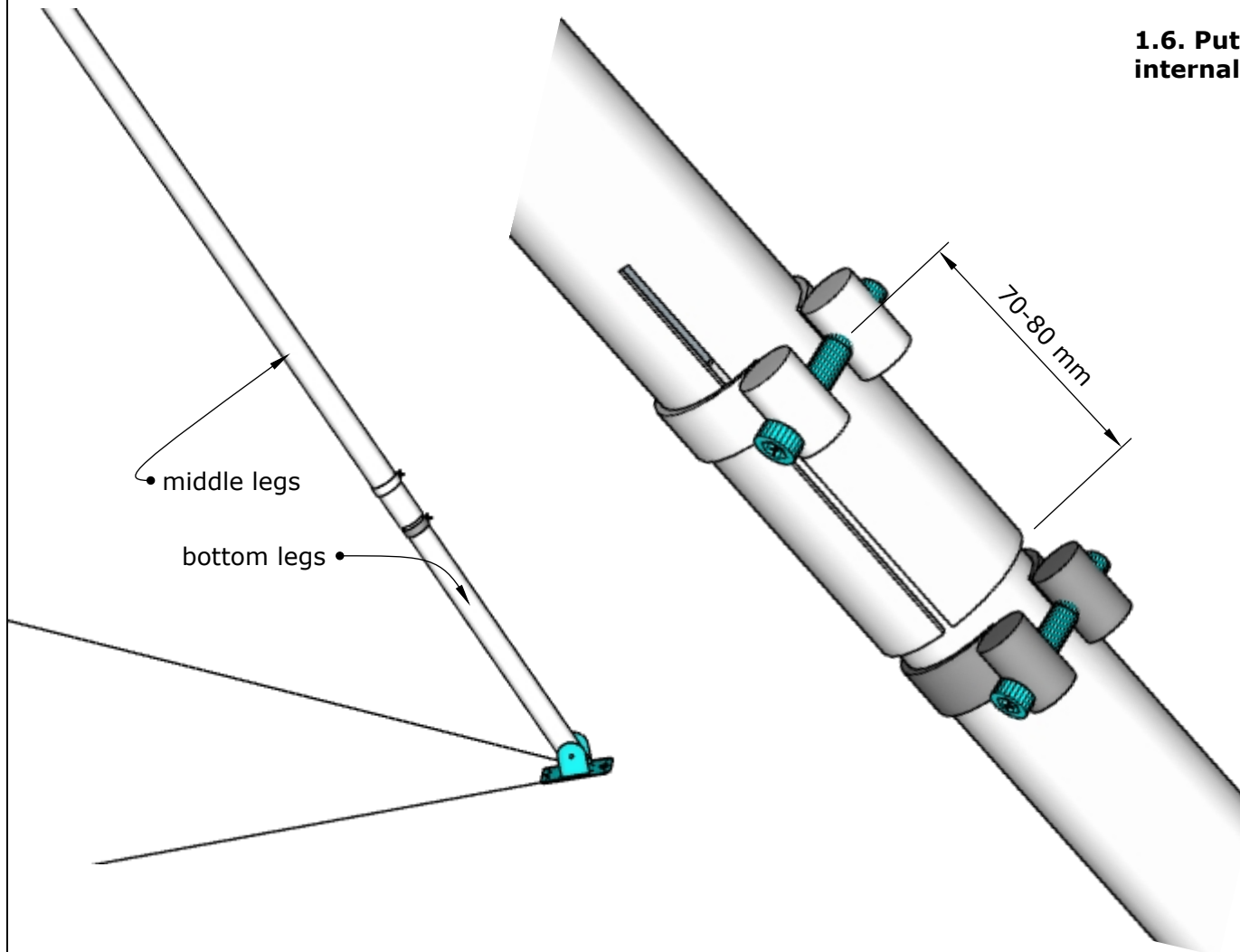


# 1. First Assembling (after shipping)

1.4. Insert bottom legs into middle legs:

1.5. The distance from the clamp to the end of the pipe should be about 70-80 mm!!

1.6. Putting bottom+middle legs into the internal bag (for more safety):



## 2. Tripode Installation:

2.1. Remove all parts of the tripod from the bag and lay out upper part of tripod:



2.2. Tighten all the bolts on the crossbar!!!



2.3. Insert the lower legs one by one

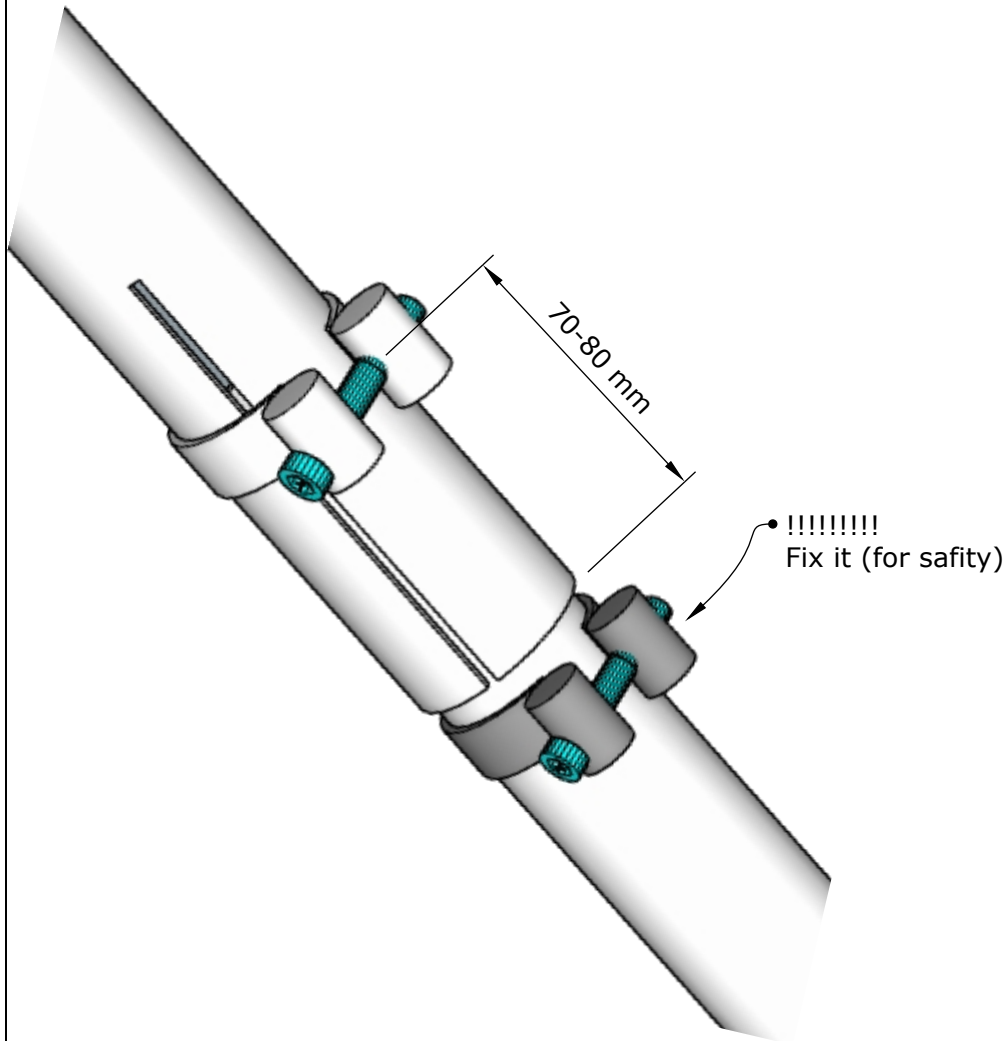


2.4. Tighten the upper clamp (which connects the upper and middle legs) using small Hex wrench.  
**Turn the clamp so that the bolt is facing inside the tripod.**  
**Screw the Eyebut (or CapNut) onto the end of the bolt.**  
You can use the eyebolt as an additional attachment point for ropes!



## 2. Tripode Installation:

2.5. The distance from the clamp to the end of the pipe should be about 70-80 mm!!



2.6. Now pull out the lower legs one by one to the desired height.

Please note that the lower leg should be at least 150-200mm into the middle one!

Rotate the bottom leg around its axis so that the large hole is facing inside the tripod!



large hole!!